



Professional Grade CAD Software

# nanoCAD Platform

nanoCAD Platform is a CAD solution fully compatible with professional-grade & industry's standard DWG support.



# New in nanoCAD 24

- ✓ Layer Manager
- ✓ CAD Standards Toolbar
- ✓ Layer Translator
- ✓ Updating Functional Toolbars
- ✓ Centroid Snap
- ✓ Area
- ✓ Displaying Grid as Dots

## Features

### User Interface

nanoCAD's operating principles are designed to look and feel just like other well-known CAD systems. This means that any experienced designer can master nanoCAD instantly. Drawing spaces, command lines, positions of menu items, and icons are recognizable, so there is nearly no need for retraining. You can switch back and forth between the modern ribbon and classic CAD user interfaces instantly. nanoCAD's visual interface editor customizes almost every aspect of nanoCAD.

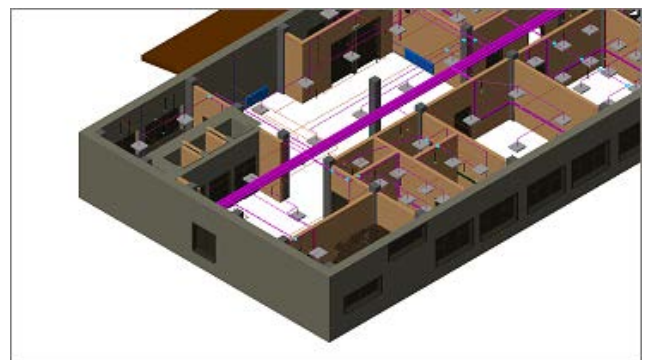
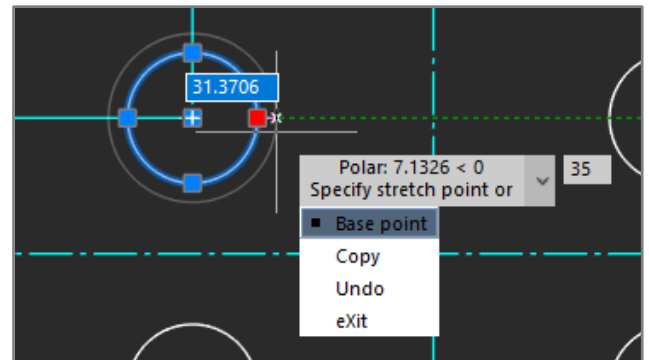
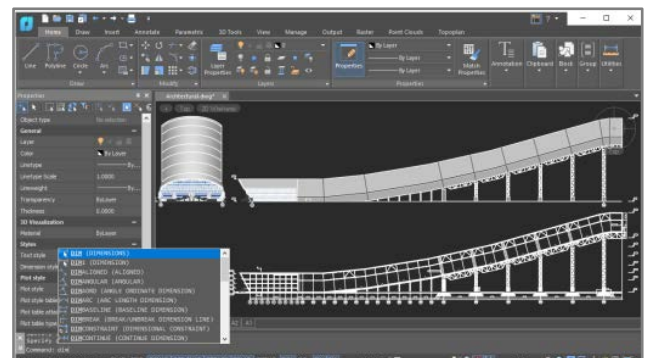
### Dynamic Input

Dynamic input helps you set dimensions and sizes of drawing elements, without needing to access the command line. It's heads-up drafting with pointer input, dimension input, and dynamic prompts. Dynamic input is available for creating and editing objects, which greatly simplifies working with drawings.

### IFC Support

nanoCAD can import IFC files into a DWG document. It is possible to perform numerous operations on imported BIM objects, such as to compile reports on models created in BIM-systems. Add to this updated tool for 3D navigation in parallel & perspective projection, adaptive zoom, camera and observer head rotation, accelerated performance in saturated 3D models - and you will get a universal IFC-viewer based on DWG and BIM-models.

- ✓ Updating the ETRANSMIT command
- ✓ Improving IFC Import
- ✓ Point Cloud Project Manager
- ✓ Managing Point Cloud Revisions
- ✓ Point Clouds Hiding and Displaying Commands
- ✓ Checking Connections in the Database
- ✓ Shapes in Point Clouds



## Drawing Comparison

nanoCAD allows you to find differences between two similar-looking drawings in model space. It detects objects that have been modified, added, or removed from drawings being compared.

## Powerful Excel-style Table Editor

nanoCAD's table editor blows away the competition with its powerful set of database-like capabilities, along with tables that embed macros and formulas in cells.

## 2D/3D Point Clouds

nanoCAD imports point clouds into drawings from laser scanners like TerraSolid (bin), ASPRS (las), & Leica (ptx and pts), as well as generic point cloud files (pcd). The Import dialog box is powerful enough to import only the regions of clouds you need. You can create and modify clouds with sections & clips, & tune visualization parameters, such as color by elevation.

## Extensive Commands for Creating and Editing 2D/3D Objects

nanoCAD contains all tools necessary for design:

Create and edit 2D and 3D objects, text, and design elements

Adjust display settings and printing for technical documentation

Create and use any kind of table and specifications, based on block attributes

View, create, and edit 3D surface objects

## Locator Function

With the Locator tool, you interactively rotate the view of a model while holding down the Alt key, and then select any point on the locator circle, or choose one of the four marked points to rotate a view by 90 degree. The arrow points to the new view rotation position.

